

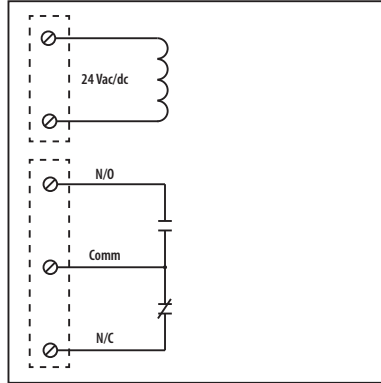


Made in USA
Meets
"Buy American"
of ARRA 2009

10 Amp Panel Mount Control Relays

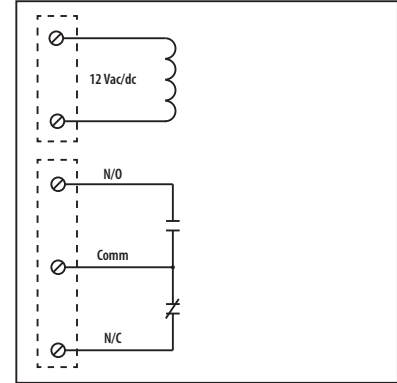
RIBAN24C

Panel Mount Relay 10 Amp SPDT with
24 Vac/dc Coil



RIBAN12C

Panel Mount Relay 10 Amp SPDT with
12 Vac/dc Coil



SPECIFICATIONS

Relays & Contact Type: One (1) SPDT Continuous Duty Coil
Expected Relay Life: 10 million cycles minimum mechanical
Operating Temperature: -30 to 140° F
Operate Time: 6mS
Relay Status: LED On = Activated
Dimensions: 1.025" x 2.750" x 2.850"

Mounting: A: 2.750" Track Mount, See MT212 Series on page 132. **MT212 Mounting Track Sold Separately.**
B: 35mm x 7.5mm symmetrical DIN rail EN50022
C: Screw Mount, See DS80625 on page 133. **DS80625 Self-Tapping Drill Screws Sold Separately.**
D: Current Sensor Mount, See RIBXG Series on page 88 or RIBXK Series on page 87.

Current Sensors Sold Separately.

Approvals: UL Listed, UL508, C-UL, CE, RoHS
Gold Flash: No
Override Switch: No

Contact Ratings:
10 Amp General Use @ 277 Vac
10 Amp Resistive @ 30 Vdc N/O
7 Amp Resistive @ 30 Vdc N/C
1/2 HP @ 125 Vac
1 HP @ 250 Vac
1/4 HP @ 277 Vac
C300 Pilot Duty

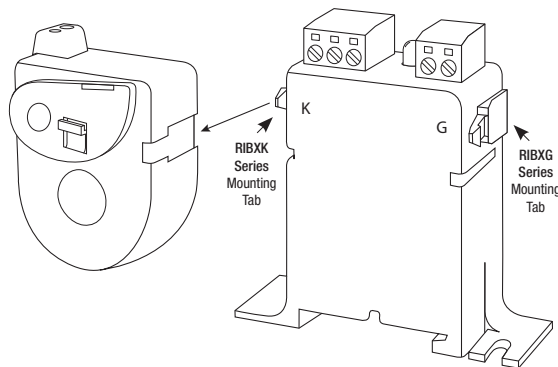
Coil Voltage Input (RIBAN24C):
24 Vac/dc ; 50-60 Hz
Drop Out = 3 Vac / 3.8 Vdc
Pull In = 20 Vac / 20 Vdc

Coil Voltage Input (RIBAN12C):
12 Vac/dc ; 50-60 Hz
Drop Out = 2 Vac / 2.5 Vdc
Pull In = 9 Vac / 11 Vdc

Coil Current (RIBAN24C):
26 mA @ 20 Vac
31 mA @ 24 Vac
14 mA @ 20 Vdc
18 mA @ 24 Vdc
28 mA @ 35 Vdc

Coil Current (RIBAN12C):
53 mA @ 10 Vac
62 mA @ 12 Vac
29 mA @ 11 Vdc
35 mA @ 12 Vdc

Current Sensor Mounting Option D

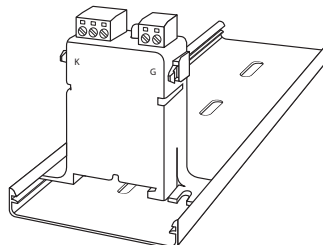


1. Slide current sensor onto corresponding mounting tab.
2. Snap into place.
3. Depress tab to remove current sensor.



Relay Mounting Options A & B

Mounting Option A:
2.75" Track Mount
MT212 Series



Mounting Option B:
35mm x 7.5mm symmetrical
DIN rail EN50022

