



Network Thermostat Controllers



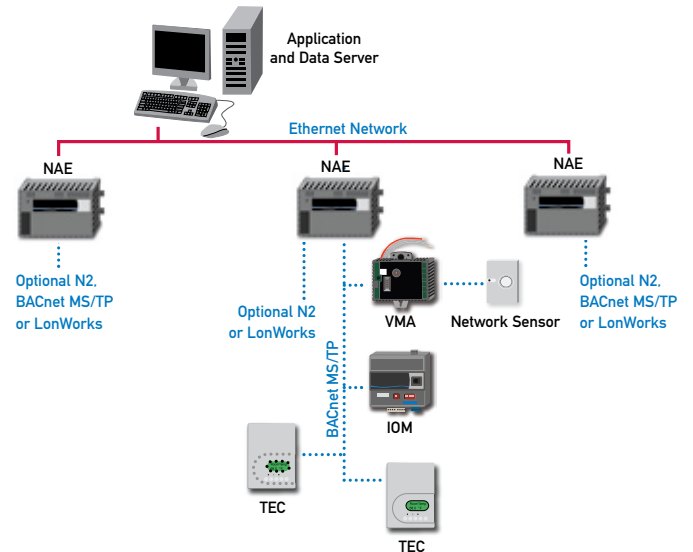
- Easy-to-read, aesthetically pleasing backlit LCD display.
- Two configurable binary inputs for advanced functions.
- Over 20 configurable parameters enable the thermostat to be customized for any application.
- TEC Thermostat controllers are BACnet Testing Labs (BTL) listed.

The TEC2000 Series Thermostat controllers from Johnson Controls meet your need for a cost-effective networked small equipment controller by providing more N2, BACnet[®] MS/TP and LonWorks[®] communicating options. It offers equipment control from a single product: thermostat, controller and temperature sensor.

The TEC Series staged controllers can be used with rooftop units (with and without economizers), heat pumps and single- and multi-stage heating/cooling equipment.

The TEC2x45, TEC2xx6 and TEC2xx7 Series controllers are available for commercial and hospitality applications, including cabinet unit heaters, perimeter heating/cooling, zoning and fan coil units. They provide control of various two- and four-pipe fan coil equipment, and have options for one- to three-speeds of fan control. They offer additional application flexibility by providing advanced control signals – proportional 0 to 10 VDC, on/off, or floating and dehumidification capabilities.

TEC2000 SERIES NETWORK THERMOSTAT CONTROLLERS



PRODUCT CODE	CONTROL	FAN CONTROL	MODEL TYPE	APPLICATION	
TEC2x45-2	One Output Proportional 0 to 10 VDC	One-Speed	Commercial	Commercial two-pipe equipment, cabinet unit heaters, and perimeter heating/cooling	
TEC2x16-2	Two Outputs On/Off	1, 2 or 3-Speed		Two or four-pipe fan coil equipment	
TEC2x26-2	Two Outputs On/Off or Floating				
TEC2x36-2	Two Outputs On/Off or Floating and Dehumidification				
TEC2x46-2	Two Outputs Proportional				
TEC2x56-2	Two Outputs Proportional and Dehumidification				
TEC2x16H-2	Two Outputs On/Off			Hospitality	
TEC2x26H-2	Two Outputs On/Off or Floating				
TEC2x36H-2	Two Outputs On/Off or Floating and Dehumidification				
TEC2x46H-2	Two Outputs Proportional				
TEC2x56H-2	Two Outputs Proportional and Dehumidification				
TEC2x27-2	Two Outputs On/Off or Floating	None	Commercial Nonprogrammable	Two or four-pipe equipment, hydronic reheat valve control, and pressure dependent VAV with or without local reheat	
TEC2x47-2	Two Outputs Proportional	On, Off or Auto		Fan coil unit, unit heaters, and single-stage packaged heating/cooling equipment	
*TEC2x01-2	Single Stage			Heat pump with up to 3 heating/2 cooling stages	
*TEC2x02-2	Heat Pump			Multi-staged packaged heating/cooling stages	
*TEC2x03-2	Multi Stage			Packaged rooftop units with economizers	
*TEC2x04-2	Economizer	Commercial LonWorks Programmable	Fan coil unit, unit heaters, and single-stage packaged heating/cooling equipment		
TEC2261-3	Single Stage		Heat pump with up to 3 heating/2 cooling stages		
TEC2262-3	Heat Pump		Multi-staged packaged heating/cooling stages		
TEC2263-3	Multi Stage		Packaged rooftop units with economizers		
TEC2264-3	Economizer				

Note: x = "1" for N2 open communication x = "2" for LonWorks® communication x = "6" for BACnet MS/TP communication
 * For LonWorks® and N2 devices, these product code numbers end with "3", not "2".

Metasys® is a registered trademark of Johnson Controls, Inc.
 LonWorks® is a registered trademark of Echelon Corporation.
 BACnet® is a registered trademark of the American Society of Heating, Refrigerating and Air Conditioning Engineers.

